

STOPPING AEROGENS

Your AeroGen is designed for continuous operation and to withstand storms. However, you may wish to stop the fan assembly from turning and then secure it with rope if violent storms are forecast as flying debris can cause blade breakage.

You can stop or slow down the fan assembly from turning manually or electrically.

MANUAL STOPPING

The Aero4gen and Aero6gen tailfin has a hole into which should be fixed a small rope loop. The unit can then be pulled out of the wind using a hook attached to a long handle. The blades will slow down. They should then be firmly secured with rope.

ELECTRICAL STOPPING

A double pole on/off/on switch should be fitted as shown in the wiring diagram below. This will short circuit the AeroGen output and the fan assembly will stop or slow down considerably. You should then firmly secure the blades with rope. The switch can be left in the parked position whilst the blades are secured.

WARNING – THE BRAKE SWITCH SHOULD ONLY BE USED TO STOP/SLOW DOWN THE FAN ASSEMBLY PRIOR TO SECURING WITH ROPE – IT SHOULD NOT BE USED AS A PERMANENT PARKING MECHANISM.

The AeroGen should always be stopped and the blades secured, its output disconnected from the battery or regulator before carrying out maintenance working on it.

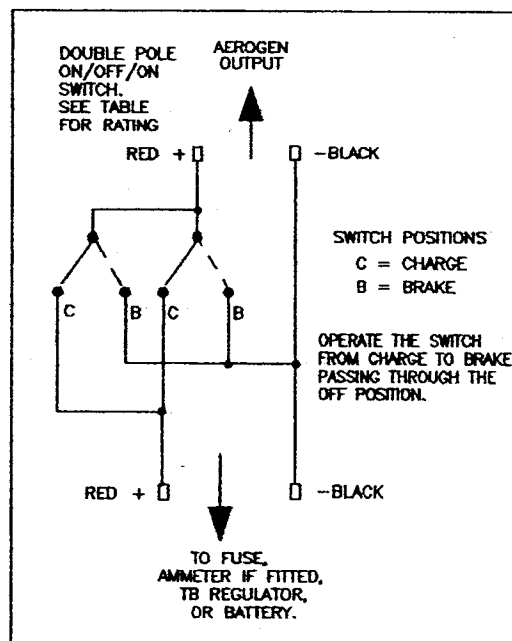
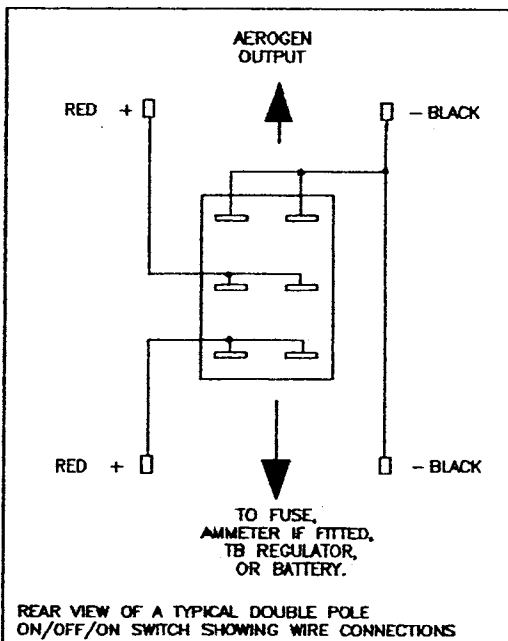
NOTE 1.

NEVER SIMPLY SHORT THE AEROGENS OUTPUT WIRES WITHOUT FITTING A DOUBLE POLE ON/OFF/ON SWITCH AS BATTERY CABLES COULD BE SHORTED BY MISTAKE. SERIOUS PERSONAL INJURY COULD RESULT, AND EQUIPMENT DAMAGED.

NOTE 2.

THE ON/OFF/ON SWITCH MUST NOT BE LEFT IN THE OFF POSITION. THE OFF POSITION IS ONLY REQUIRED TO GIVE THE SWITCH CONTACTS GOOD ELECTRICAL SEPARATION.

BRAKE SWITCH WIRING DIAGRAM



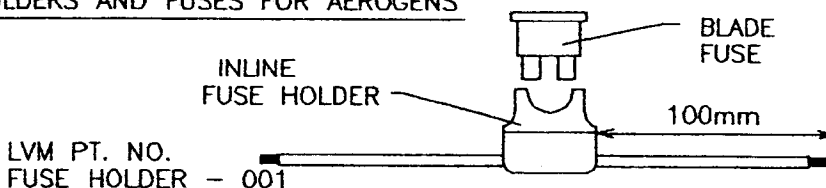
SWITCH RATING TABLE

AEROGEN MODEL	RATING
212	5A @12V DC
224	3A @24V DC
412	15A @12V DC
424	10A @24V DC
412F	15A @12V DC
424F	10A @24V DC
612	20A @12V DC
624	15A @24V DC
612F	20A @12V DC
624F	15A @24V DC

NOTE – A BRAKE SWITCH MUST ONLY BE USED IN THE AIR MODE WHEN FITTED TO THE AQUA4EROGEN. NEVER FIT A BRAKE SWITCH TO AN AQUAGEN IN WATER TOW MODE.

A 20 AMP DOUBLE POLE ON/OFF/ON SWITCH SUITABLE FOR ALL AEROGEN MODELS
LVM PT. NO. SWITCH-020

FUSE HOLDERS AND FUSES FOR AEROGENS



FUSE RATING	LVM PT.NO.
5 Amp	FUSE - 005
15 Amp	FUSE - 015
20 Amp	FUSE - 020
30 Amp	FUSE - 030