

## ET Module

ET-M53610 10Wp

### EFFICIENCY

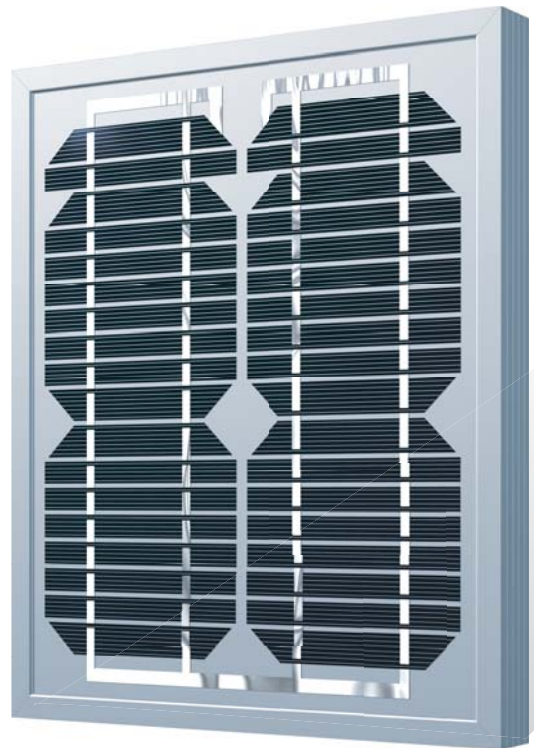
- Low voltage-temperature coefficient ensures high-temperature operation
- Exceptional low-light performance combined with high sensitivity to light enables excellent energy delivery

### MATERIALS

- Highest quality, high-transmission tempered glass provides enhanced stiffness and impact resistance
- Advanced EVA encapsulation system with triple-layer back sheet meets the most stringent safety requirements for high-voltage operation
- A sturdy, anodized aluminum frame allows modules to be easily roof-mounted with a variety of standard mounting systems
- Ultra reliable bypass diodes prevent damage through overheating due to shaded or defective cells

### BENEFITS

- Manufactured in an ISO 9001:2000 certified plant
- High efficiency, high safety, high reliability
- Output power tolerance of +/-3%
- 25-year limited warranty on power output, 5-year limited warranty on materials and workmanship



# ET Module

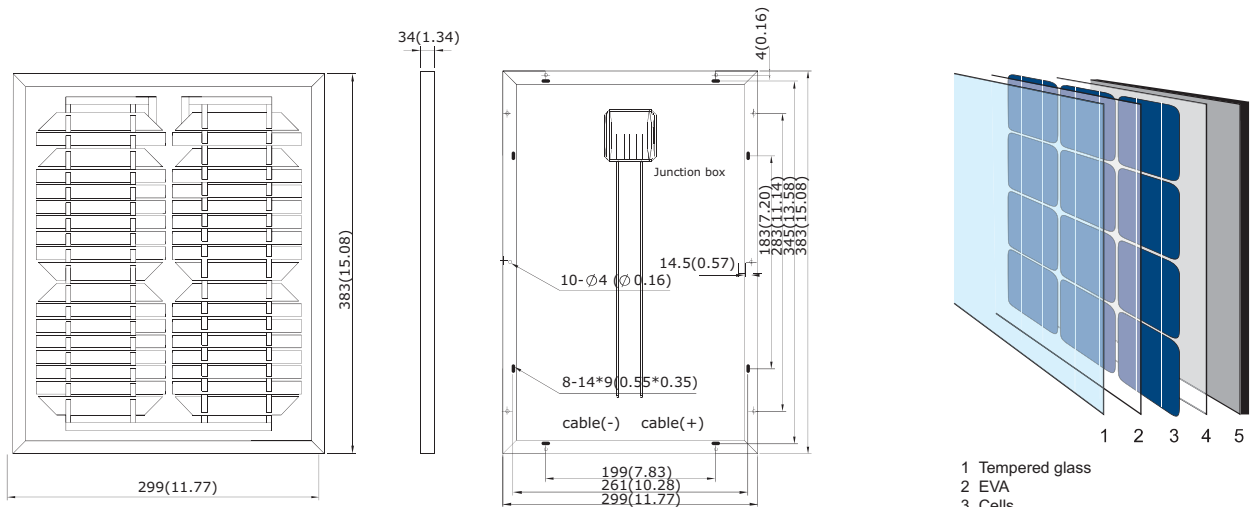
ET-M53610

## SPECIFICATIONS

Model type	ET-M53610
Peak power(Pmax)	10W
Weight	1.7kg (3.7lbs)
Dimensions	383×299×34mm 15.1×11.8×1.3inch
Maximum power voltage (Vmp)	17.82V
Maximum power current (Imp)	0.57A
Open circuit voltage (Voc)	21.96V
Short circuit current (Isc)	0.63A
Maximum system voltage	DC 1000V
Temp. Coeff. of Isc (TK Isc)	0.058 %/°C
Temp. Coeff. of Voc (TK Voc)	-0.367 %/°C
Temp. Coeff. of Pmax (TK Pmax)	-0.485 %/°C
Normal Operating Cell Temperature	44.4±2°C

Note: the specifications are obtained under the Standard Test Conditions (STCs): 1000 W/m<sup>2</sup> solar irradiance, 1.5 Air Mass, and cell temperature of 25°C.

## PHYSICAL CHARACTERISTICS Unit:mm(inch)



- 1 Tempered glass
- 2 EVA
- 3 Cells
- 4 EVA
- 5 Multi-layer back sheet

Electrical Performance cell temperature:25°C

