

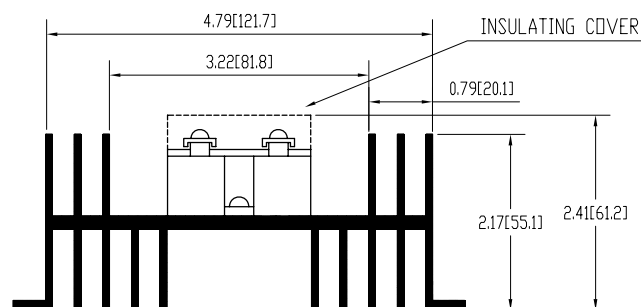
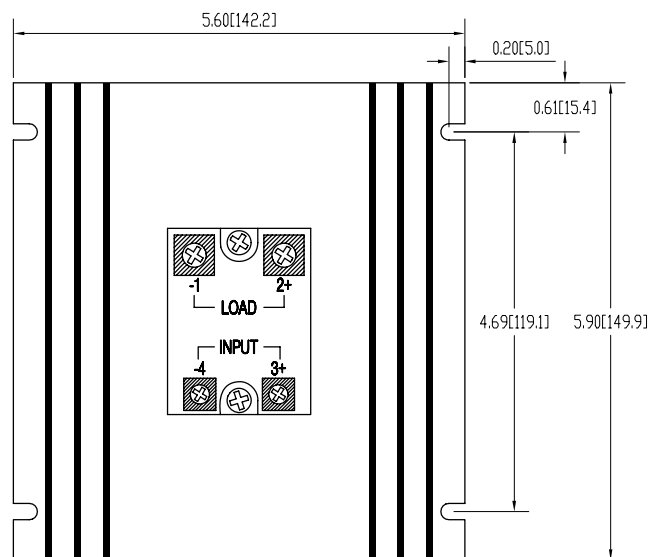
External High Current Switch For Solar Boost Charge Controller Auxiliary Output

The Current Booster Module (CBM) is an optically isolated high current MOSFET switch. The CBM can be used to greatly increase the load switching capability of Solar Boost charge controllers with load control outputs. The charge controller load control output serves as the input control signal to the CBM and the CBM provides all high current switching for the load.

The CBM output turns on when a 3 – 32VDC signal is present on it's input terminals. Input to output optical isolation allows the output to serve as either a low side switch or high side switch. The CBM can also serve as a PWM power driver for the Solar Boost 3024 DUO-Option wind/hydroelectric diversion charge control system. Up to 70 amps can be switched in a DC on/off application or up to 40 amps in a 3024 DUO-Option PWM diversion application.

SPECIFICATIONS 25°C unless Otherwise Specified	
Input ON voltage	3 – 32VDC
Input ON current	25mA
Max Switched Voltage	50VDC
Max Switched Current At 40°C	70A DC on/off 40A Duo-Option 100Hz PWM
Max Surge Current	200A for 10mS

As a part of our continuous improvement process specifications are subject to change without prior notice



- Greatly Increases Load Drive Capability of Solar Boost Charge Controller Load Output
- Switches 70A DC or 40A DUO-Option PWM
- Full 12 Month Limited Warranty

Part Numbers & Shipping Weight

Current booster module,.....CBM4070..... 1.6 lbs .0.73kg
40A PWM / 70A DC

Available From:

www.solar-wind.co.uk